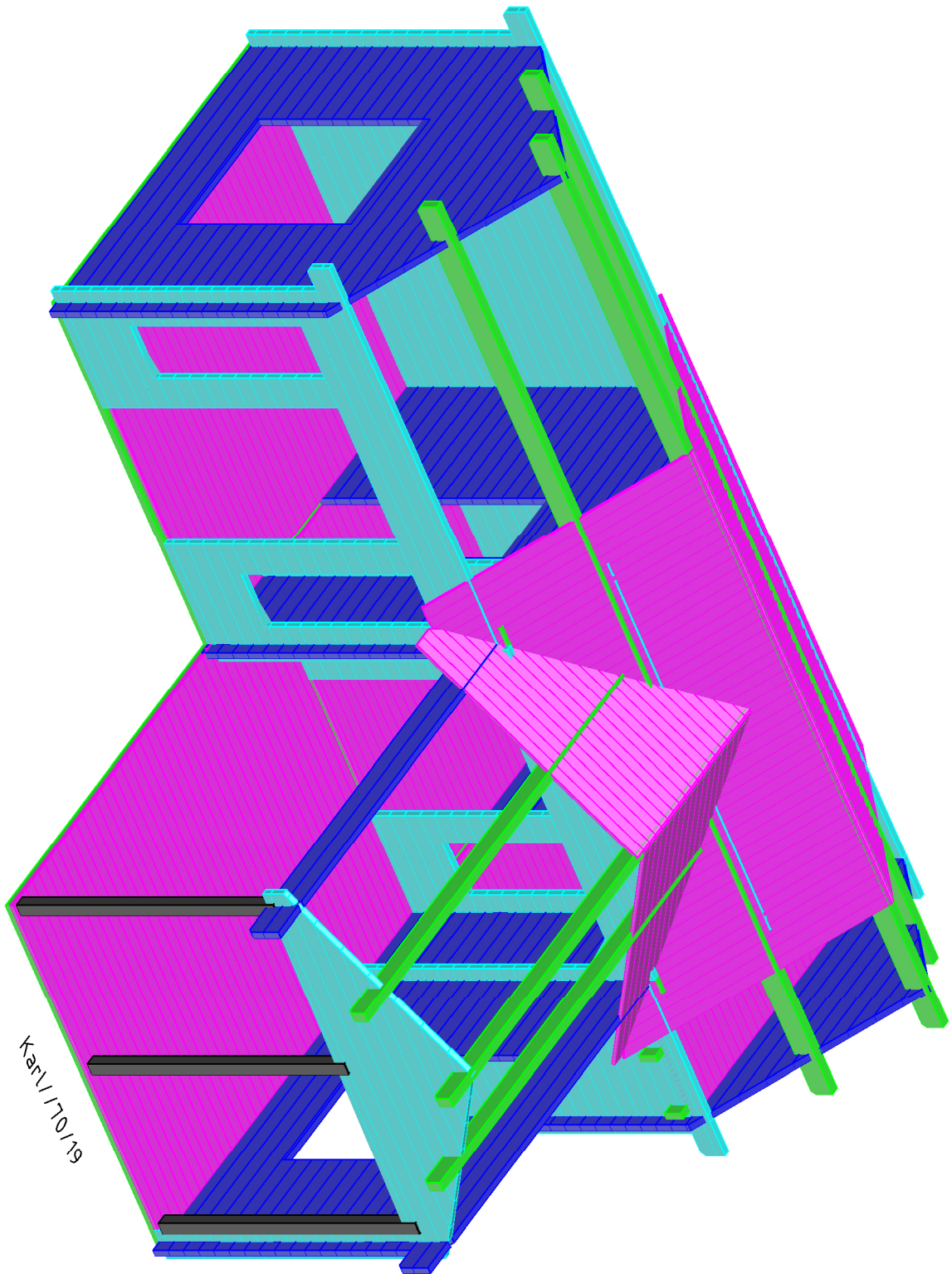
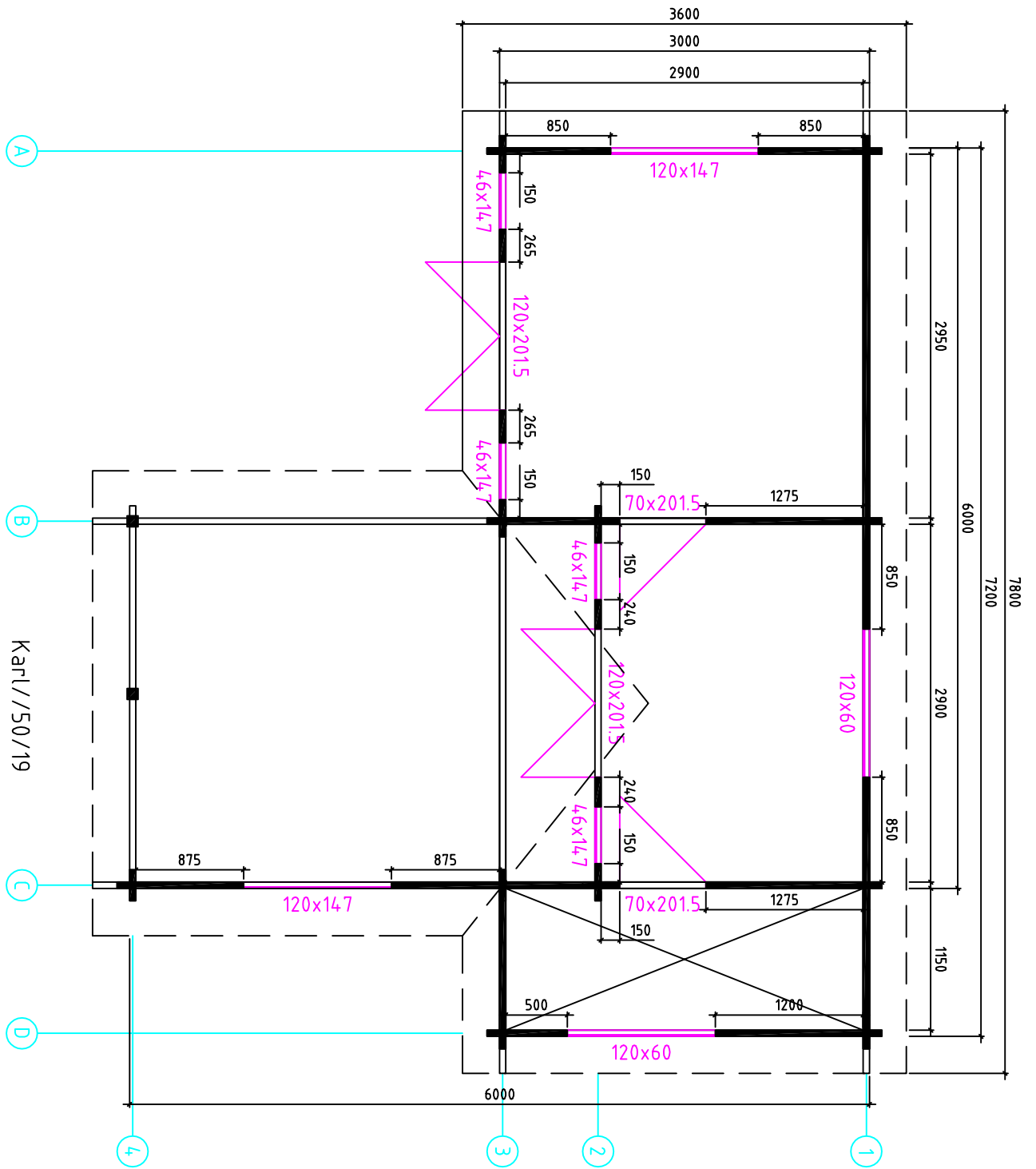
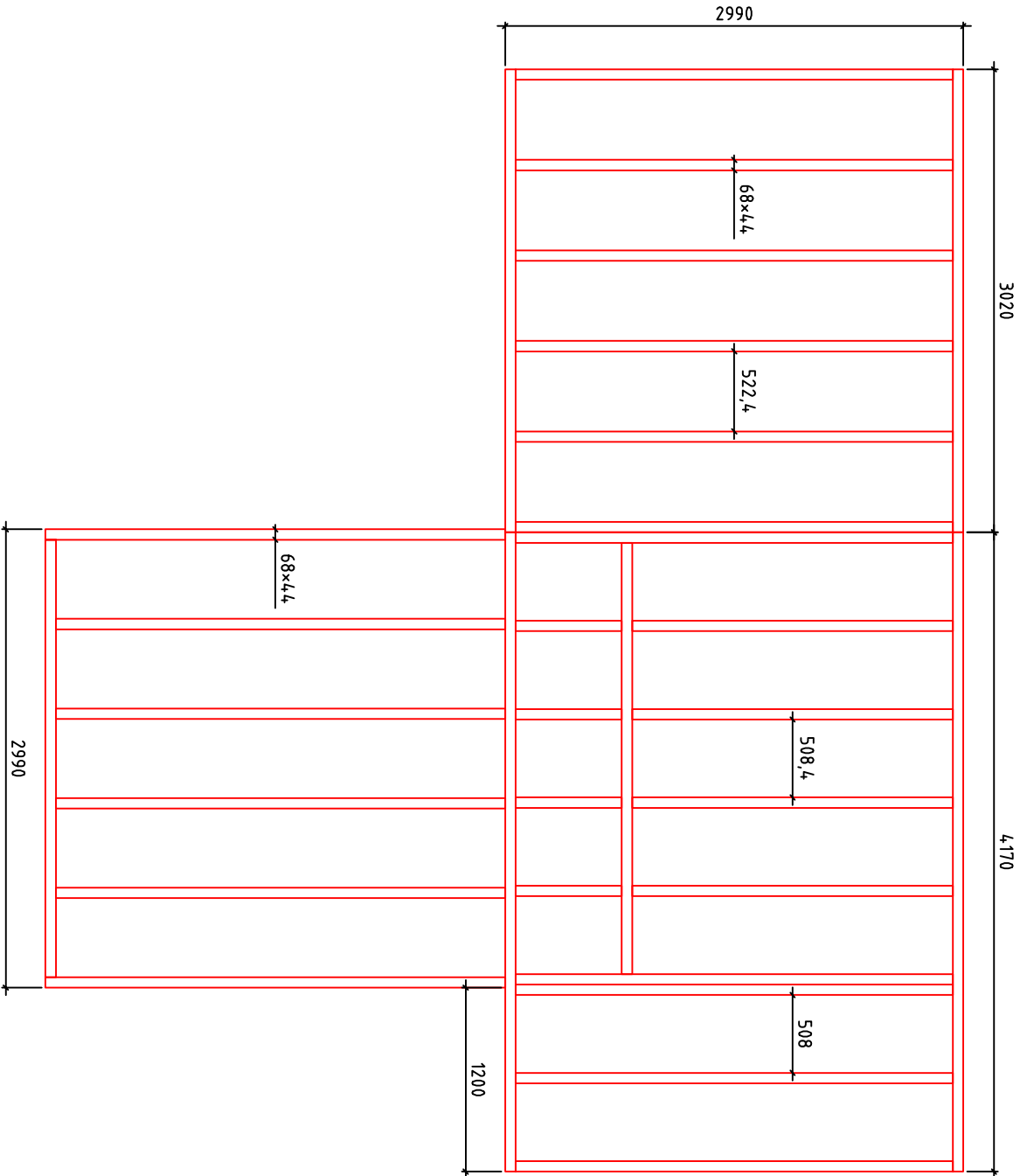


Karl/170/19

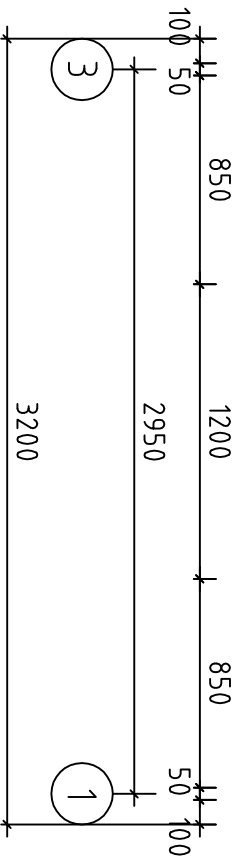
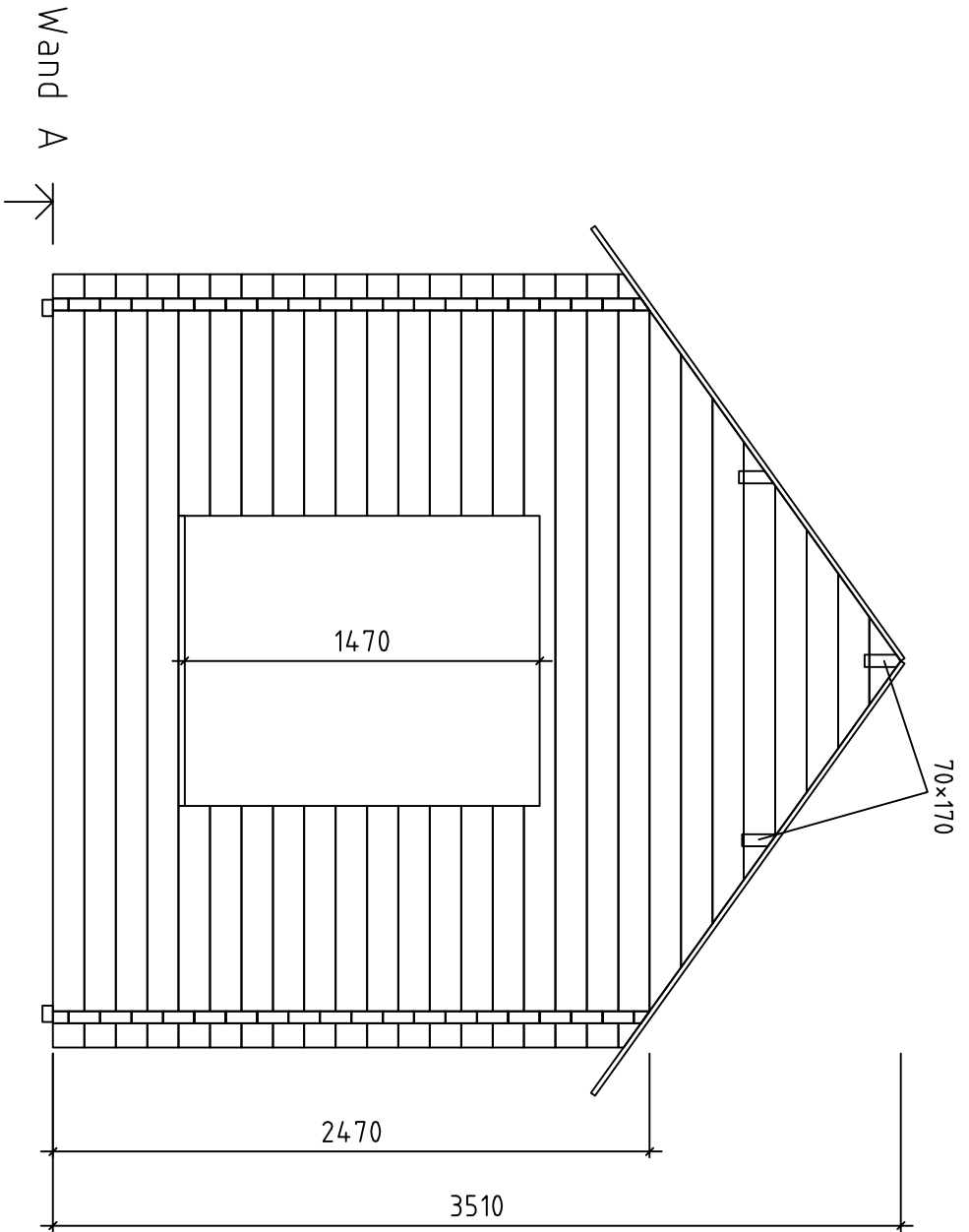


Karl 170/19



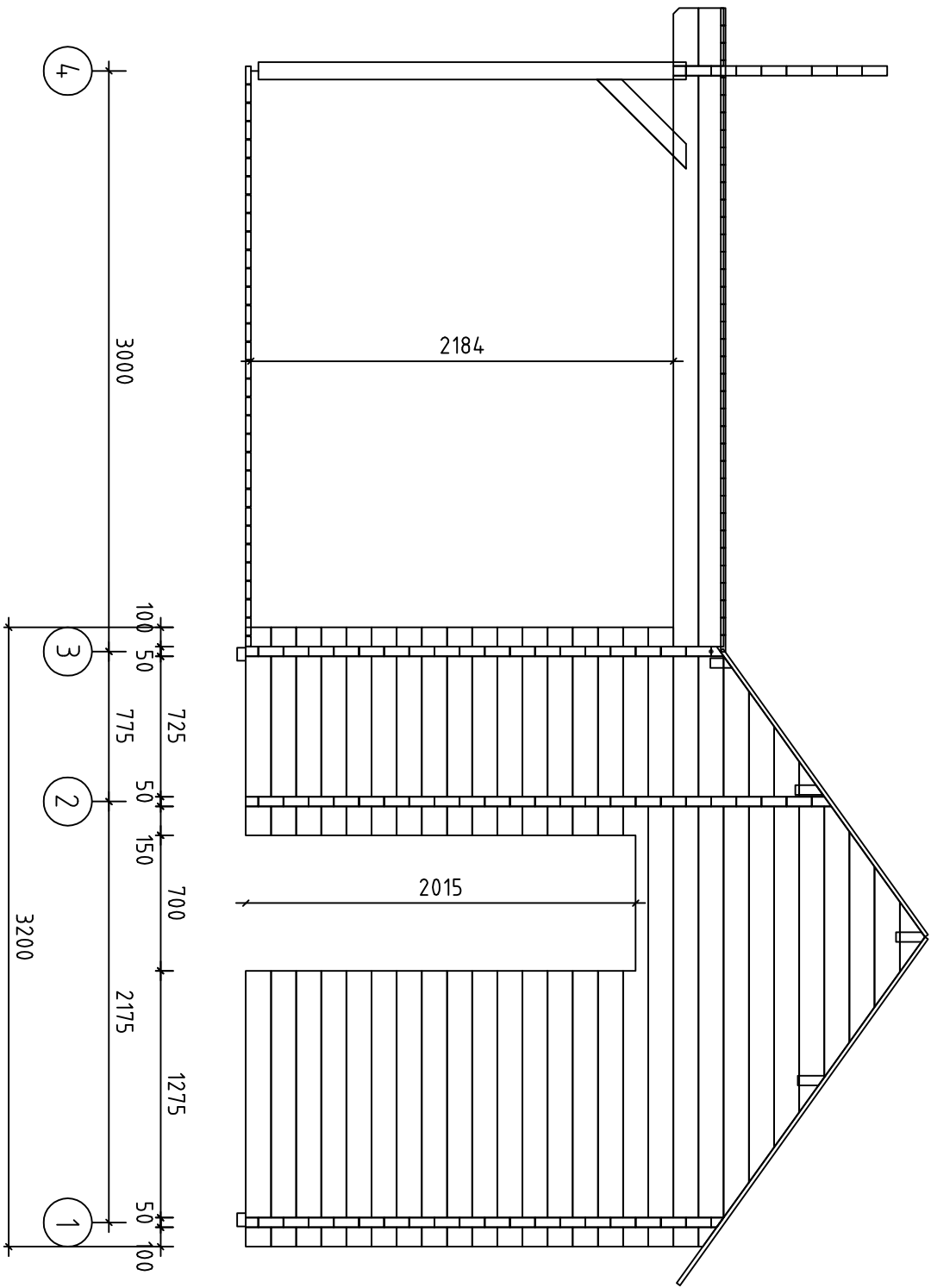


Karl/50/19



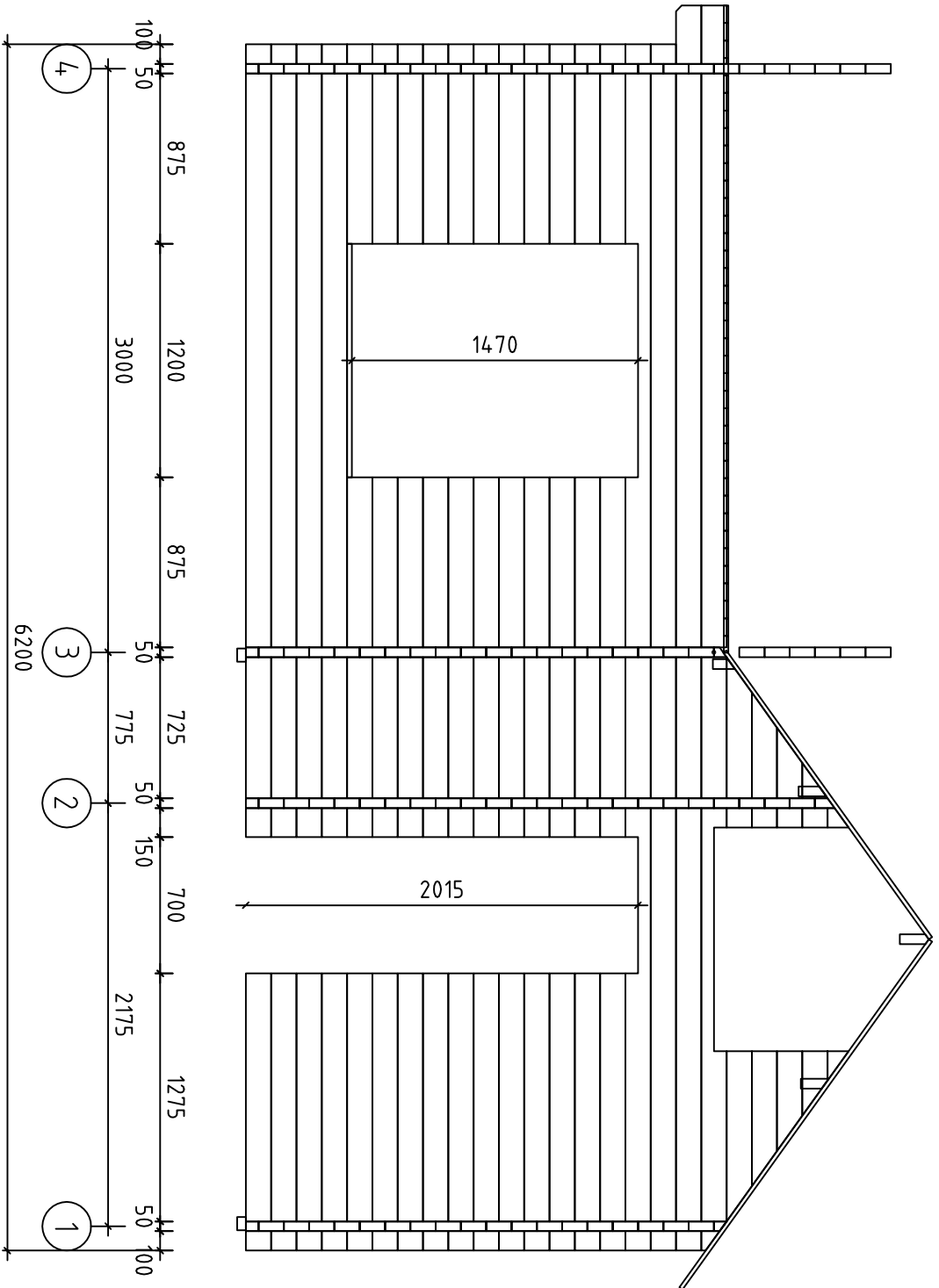
Karl/50/19

Wand B ↗



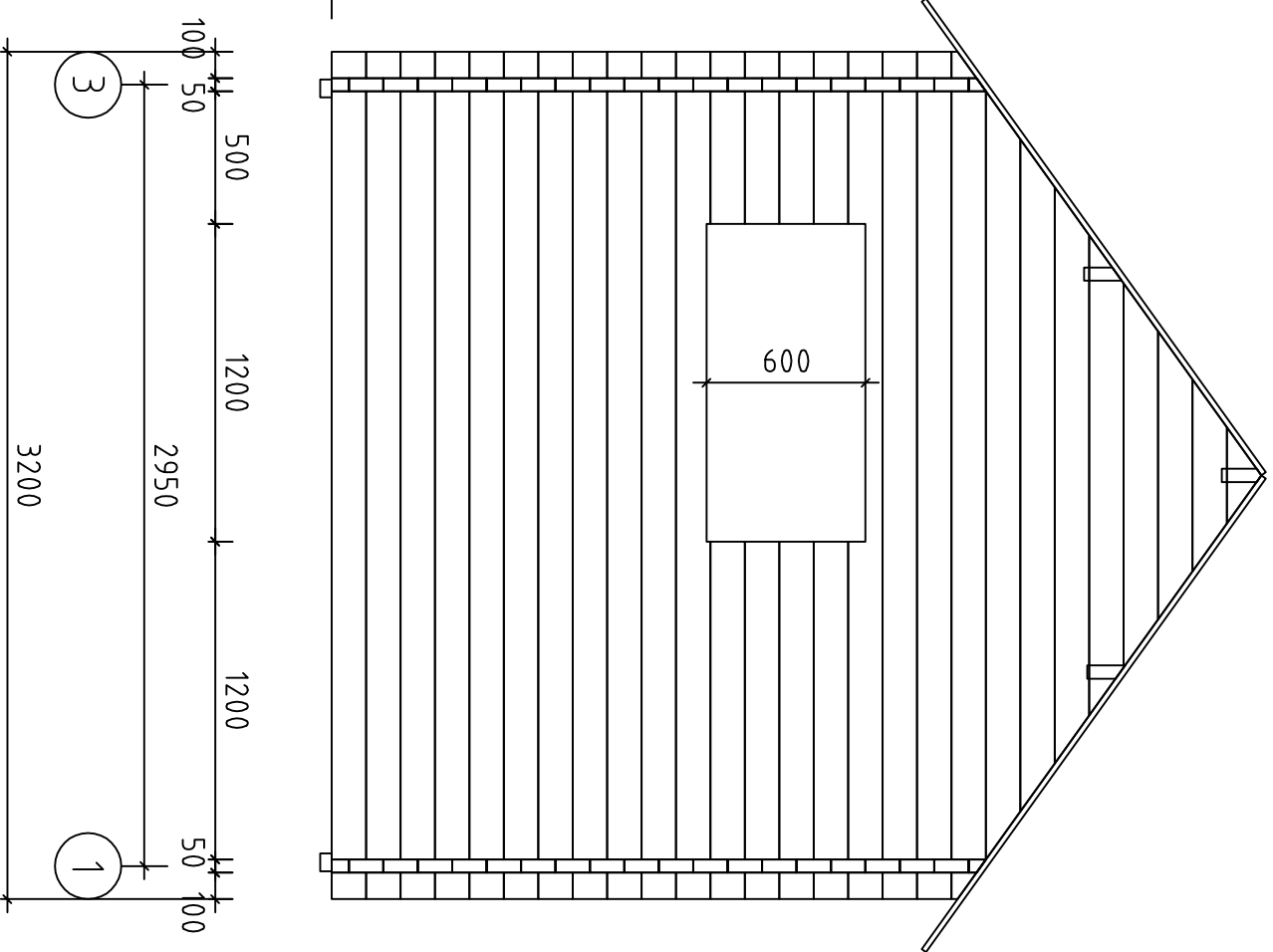
Karll//50/19

Wand C ↗



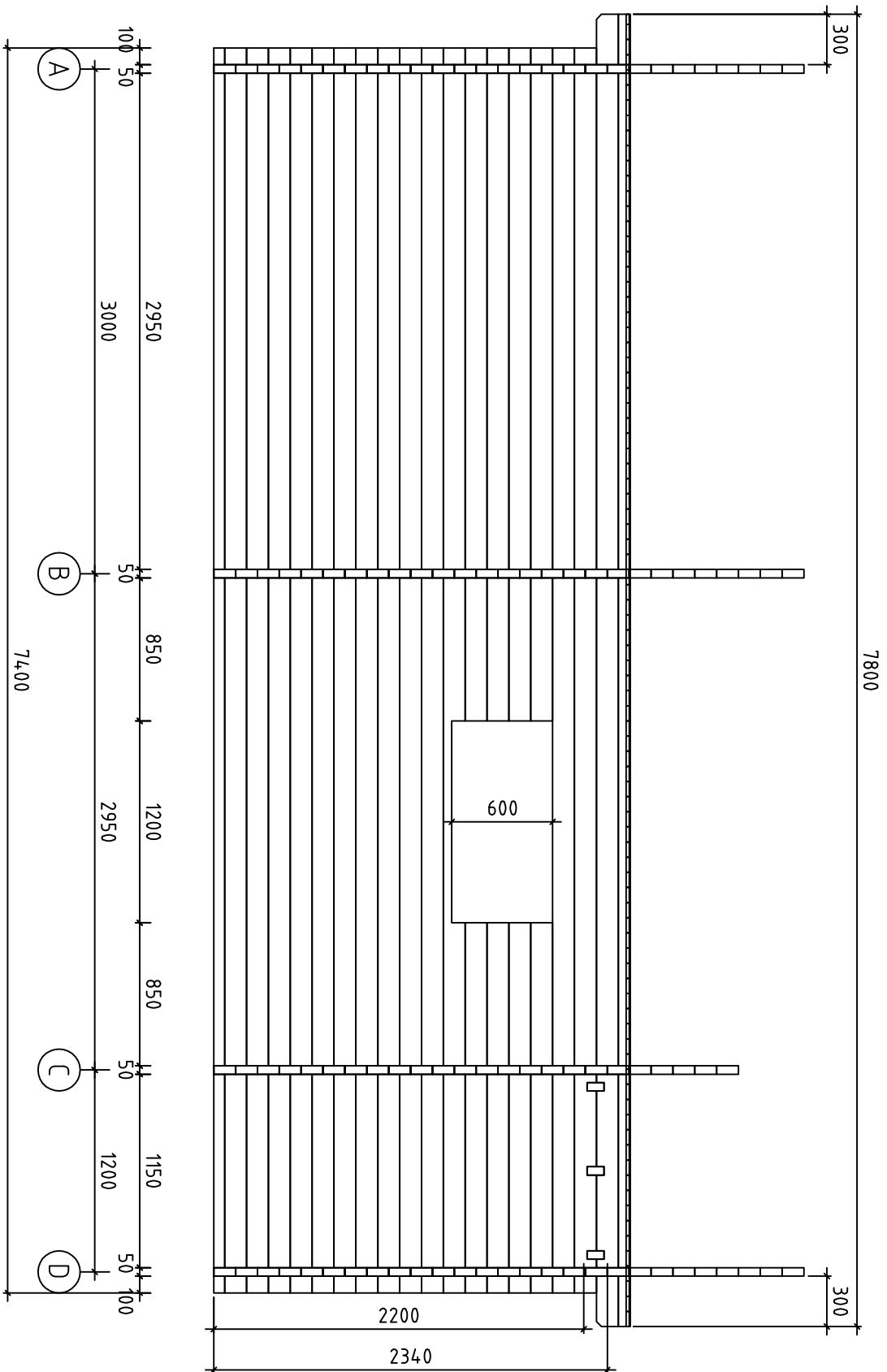
Karl//50/19

Wand D

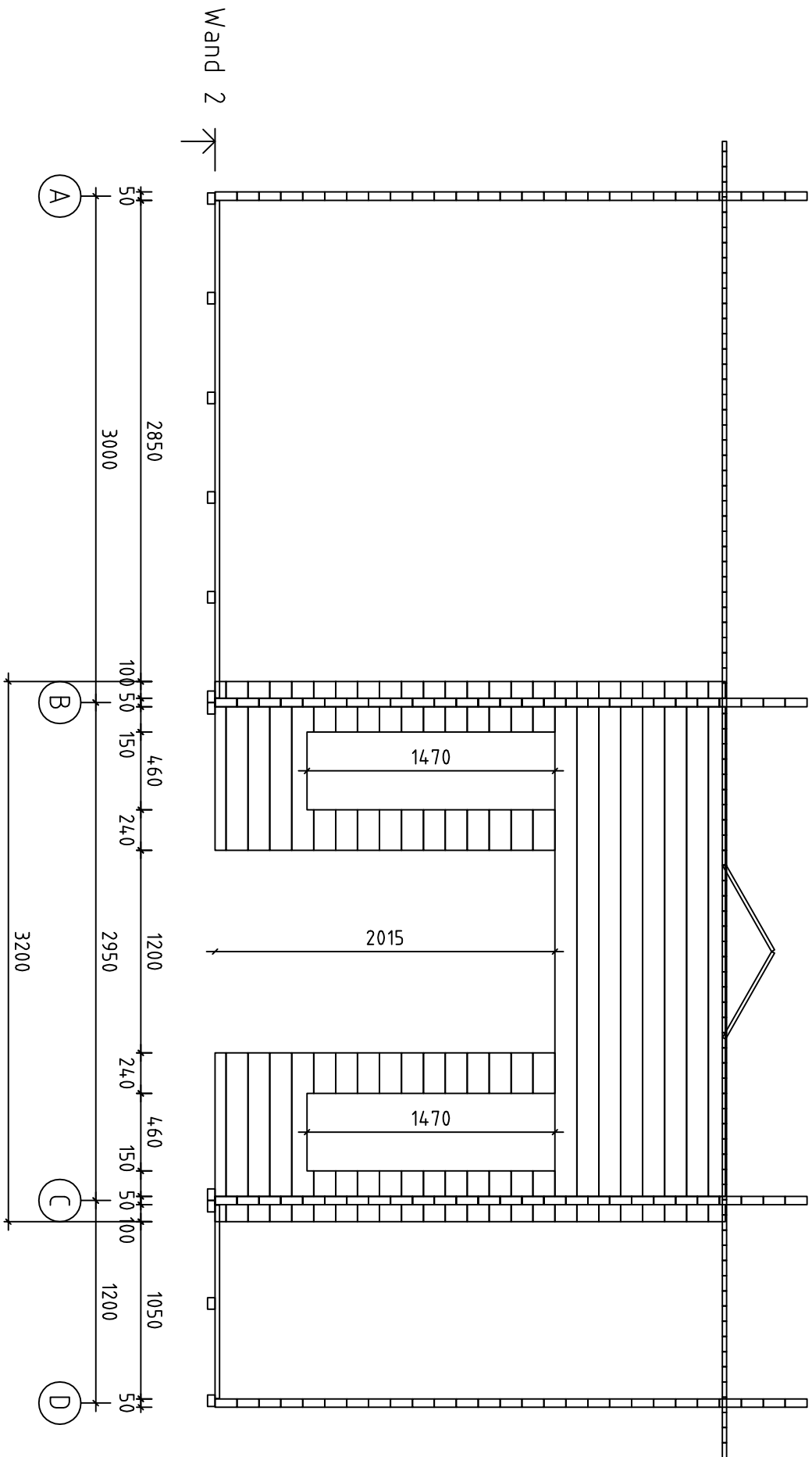


KaPl//50/19

Wand 1 ↗

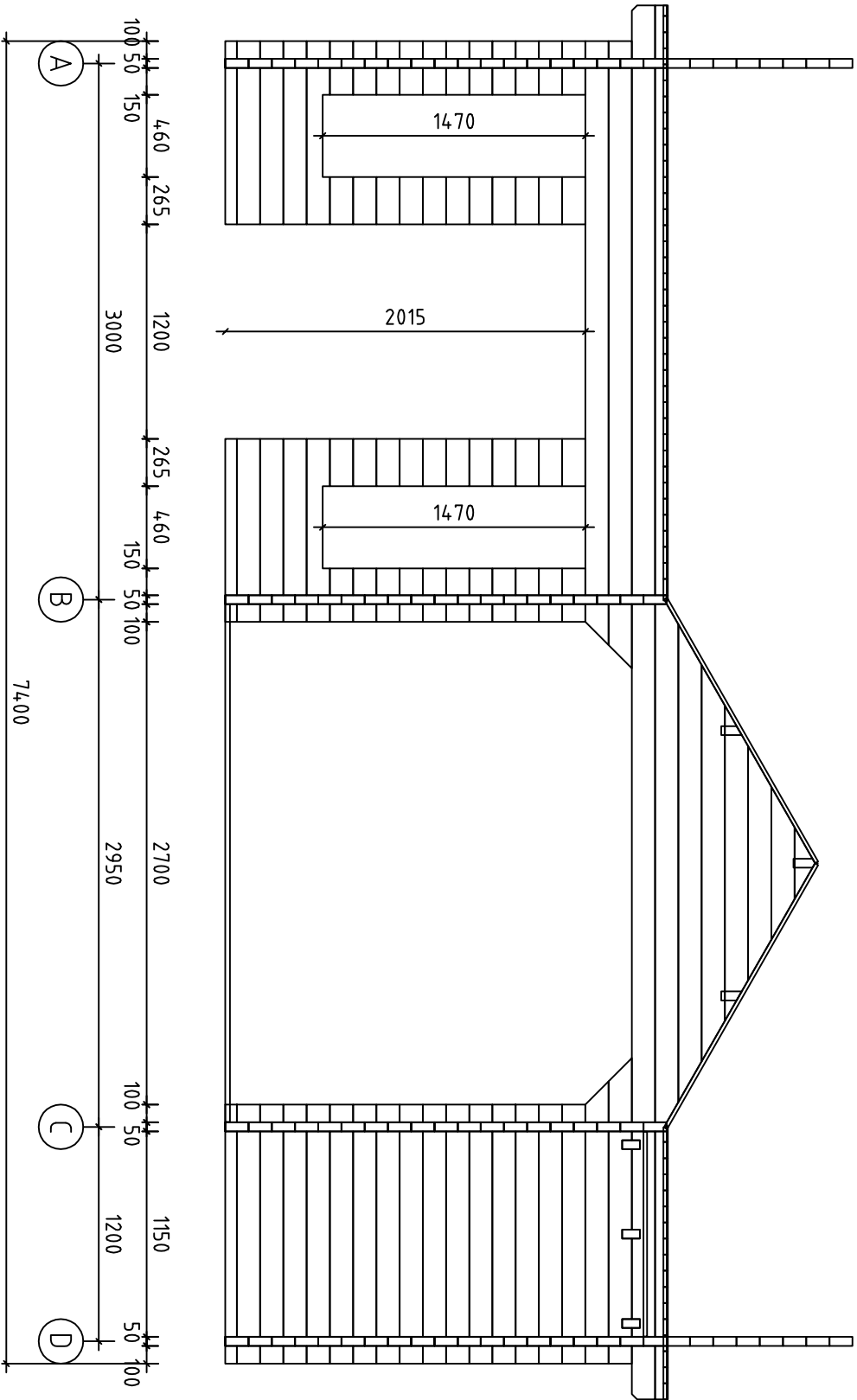


Karll/50/19



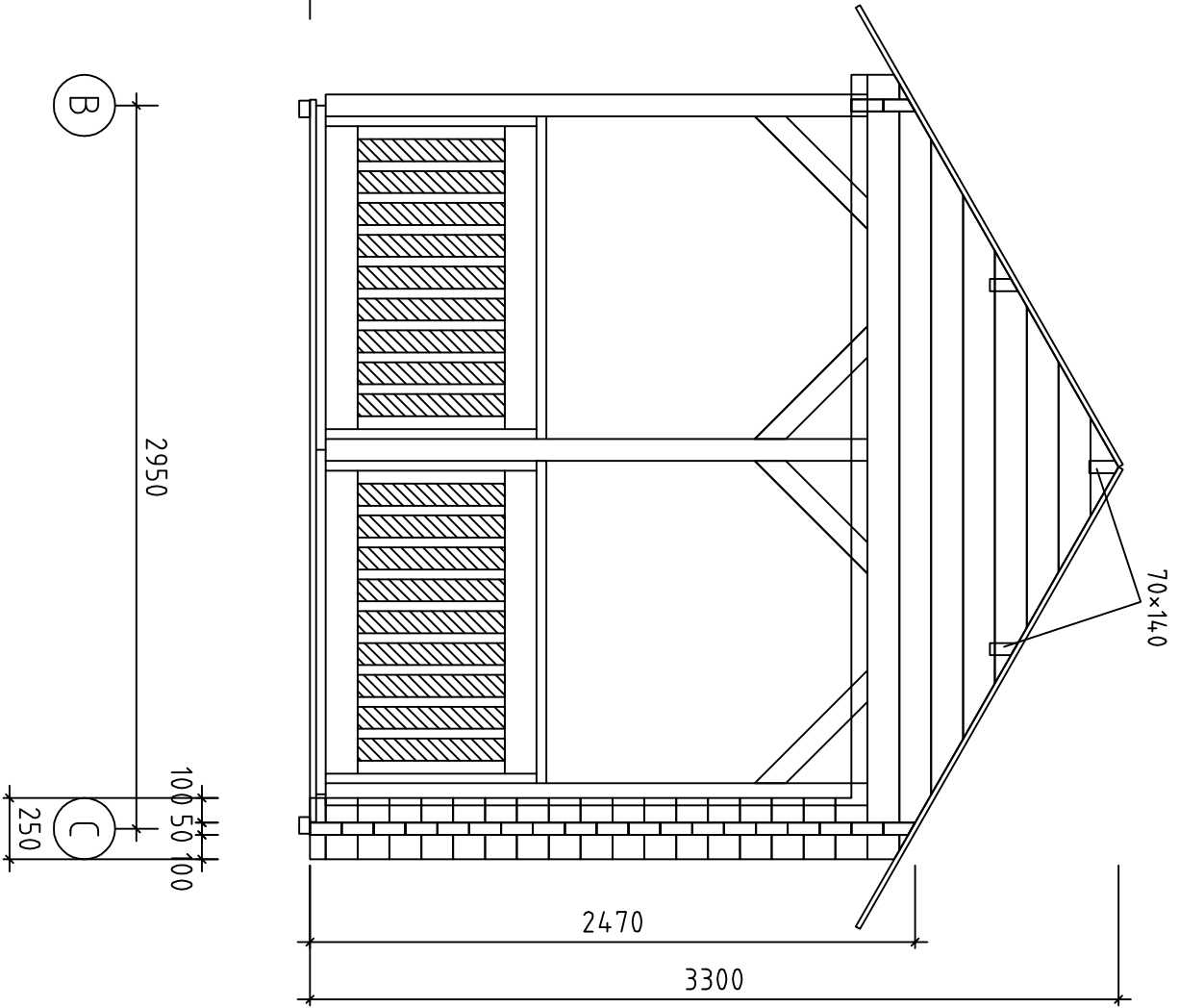
Karl//50/19

Wand 3 ↗



Karl//50/19

Wand 4



B

2950

70° x 140

2470

3300

C

250

100
50
100